

ULTRA NXA, 230V CE BLK STD-HDL CFV EU

Height: 0.0" Width: 0.0" Depth: 0.0"
(0.0cm) (0.0cm) (0.0cm)



- Patented beverage monitoring technology and reversing auger design ensure consistent, great tasting frozen beverages
- Enhanced auger drive system and seal design for long-lasting, reliable performance
- New leak capture feature helps reduce service costs and clean-up time
- BUNNlink compatible
- Two large product hoppers hold 3 gallons (11.4L) each to maximize serving capacity
- User interface communicates need for cleaning and maintenance
- LED lighted merchandisers in hopper lids bring high visibility to front-of-house applications
- Quick defrost feature to ensure beverage quality and maximize uptime
- Slide in hopper graphics allow quick and easy changes
- USB for easy software updates and downloads
- Optional faucet available for dispensing chilled (non-frozen) products
- Sanitation listings NSF 18 and NSF 6 (Dairy)
- R290 all-natural refrigerant provides a sustainable platform with extremely low Global Warming Potential
- Liquid auto-fill interface with constant flow valves reduces labor and ensures your products are ready to serve at peak demand

Agency:



Specifications

Product #: 58000.0042

Water Access: Plumbed

Additional Features

Electrical & Capacity

Volts*	Amps	Watts	Cord Attached	Plug Type	8oz cups/hr 236ml cups/hr	Input H ² O Temp.	Phase	# Wires plus Ground	Hertz
220-240	4.7-5.1	1050-1100	Yes	EURO 16A	-	60°F (15.5°C)	1	2	50

*When a BUNN is machine rated 120/208-240V, 120/208V or 120/240V, the higher voltage is the supply voltage needed to power the machine. The 120V is there to supply power to some components rated 120V in the machine, but it is not the supply voltage and would not power the machine if the machine is marked with the before mentioned ratings.

Plumbing Requirements

PSI	kPa	Fitting Supplied	Water Flow Required (GPM)
30-80	207-552	1/4" Male Flare Fitting	-

CAD Drawings

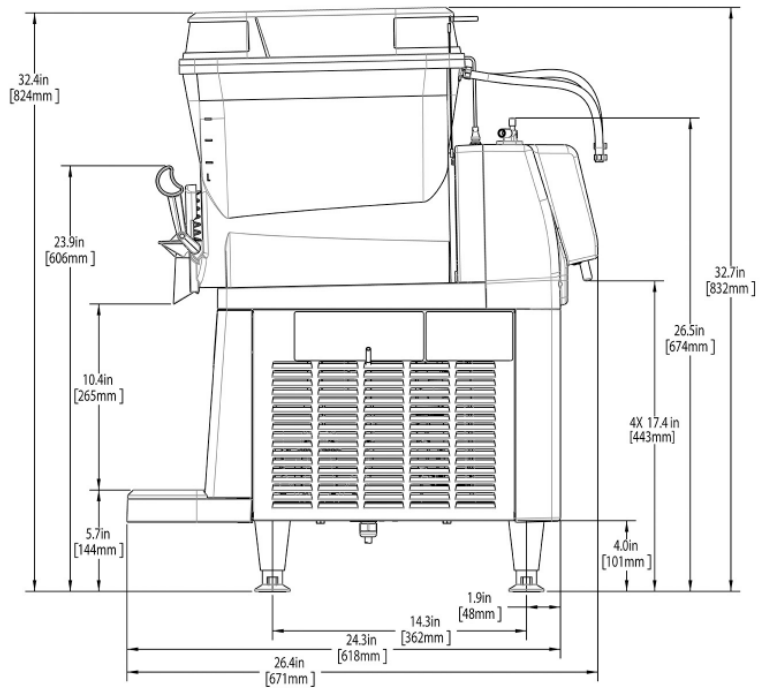
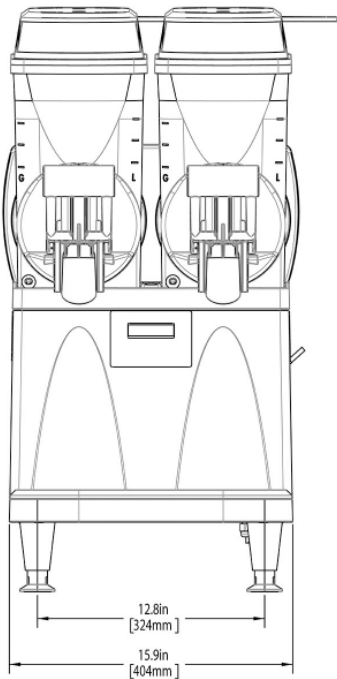
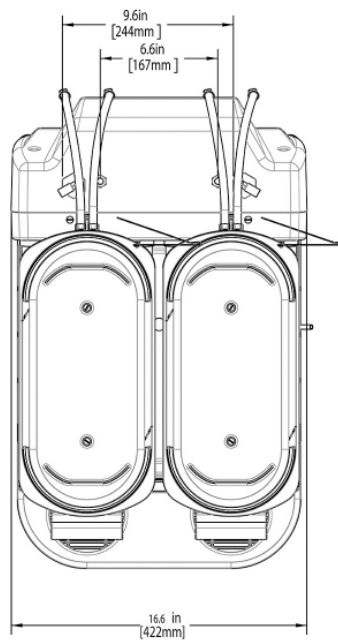
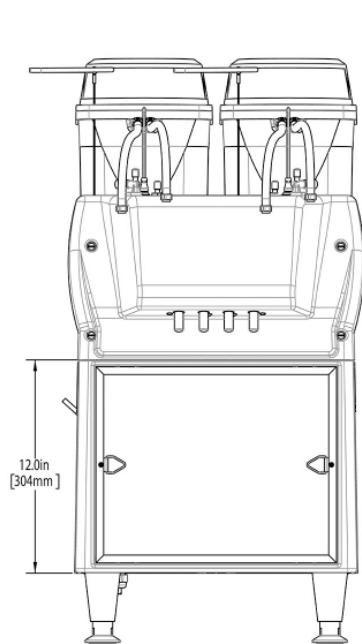
2D	Revit	KLC

WARNING:



BUNN® reserves the right to change specifications and product design without notice. Such revisions do not entitle the buyer to corresponding changes, improvements, additions or replacements for previously purchased equipment. For most current specifications and other info visit bunn.com.

Last Updated:
07/08/2025




	Unit			Shipping				
	Height	Width	Depth	Height	Width	Depth	Weight	Volume
English	-	-	-	43.9 in.	20.5 in.	25.9 in.	121.510 lbs	13.468 ft ³
Metric	-	-	-	111.4 cm	52.1 cm	65.7 cm	55.117 kgs	0.381 m ³



BUNN® reserves the right to change specifications and product design without notice. Such revisions do not entitle the buyer to corresponding changes, improvements, additions or replacements for previously purchased equipment. For most current specifications and other info visit bunn.com.

Last Updated:
07/08/2025

Related Products & Accessories: ULTRA NXA, 230V CE BLK STD-HDL CFV EU (58000.0042)

<p>FILTER, AIR 13.562 X 11.062 MAGNETIC</p> <hr/> <p>Product #: 28122.0002</p>	<p>HANDLE, FAUCET ULTRA BLK NYLON AM</p> <hr/> <p>Product #: 32265.0003</p>	 <p>KIT, FAUCET SEALS - ULTRA-2 SEALS</p> <hr/> <p>Product #: 32268.1000²</p>	<p>KIT, LID LOCK ULTRA-2 SST CLR W/ NX LID</p> <hr/> <p>Product #: 34996.0013</p>	<p>KIT,LID & HDL LOCK ULTRA-2 SST CLR W/ NX</p> <hr/> <p>Product #: 34996.0014</p>
--	---	---	---	--

<p>HANDLE, EXTENDED ULTRA NX BLK NYLON AM</p> <hr/> <p>Product #: 44614.0004</p>	<p>DRIP TRAY ASSY, BASE ULTRA NX - BLK</p> <hr/> <p>Product #: 57659.1001</p>	<p>DRIP TRAY COVER, ULTRA NX - BLK</p> <hr/> <p>Product #: 57660.0001</p>
--	---	---

¹NSF Certified ²NSF Certified with spec sheet model listed ³NSF Certified under Solventum Purification ⁴NSF Certified under Mavea LLC ⁵NSF Certified under Zojirushi ⁶NSF Certified under Qins Inc ⁷NSF COMPONENT Certified



BUNN® reserves the right to change specifications and product design without notice. Such revisions do not entitle the buyer to corresponding changes, improvements, additions or replacements for previously purchased equipment. For most current specifications and other info visit bunn.com.

Last Updated:
07/08/2025

Serving & Holding Options: ULTRA NXA, 230V CE BLK STD-HDL CFV EU(58000.0042)

Serving and Holding selections are currently unavailable. Please contact your sales representative to find out more information.

¹NSF Certified ²NSF Certified with spec sheet model listed ³NSF Certified under Solventum Purification ⁴NSF Certified under Mavea LLC ⁵NSF Certified under Zojirushi ⁶NSF Certified under Qins Inc ⁷NSF COMPONENT Certified



BUNN® reserves the right to change specifications and product design without notice. Such revisions do not entitle the buyer to corresponding changes, improvements, additions or replacements for previously purchased equipment. For most current specifications and other info visit bunn.com.

Last Updated:
07/08/2025