

# ULTRA NXA, 230V 50HZ CE BLK STD-HDL

Height: 32.4" Width: 16.6" Depth: 26.4"  
(82.3cm) (42.2cm) (67.1cm)



- Patented beverage monitoring technology and reversing auger design ensure consistent, great tasting frozen beverages
- Enhanced auger drive system and seal design for long-lasting, reliable performance
- New leak capture feature helps reduce service costs and clean-up time
- BUNNlink compatible
- Two large product hoppers hold 3 gallons (11.4L) each to maximize serving capacity
- User interface communicates need for cleaning and maintenance
- LED lighted merchandisers in hopper lids bring high visibility to front-of-house applications
- Low-product alert to minimize product outages
- Quick defrost feature to ensure beverage quality and maximize uptime
- Slide in hopper graphics allow quick and easy changes
- USB for easy software updates and downloads
- Optional faucet available for dispensing chilled (non-frozen) products
- Sanitation listings NSF 18 and NSF 6 (Dairy)
- R290 all-natural refrigerant provides a sustainable platform with extremely low Global Warming Potential

Agency:



## Specifications

**Product #:** 58000.0041

**Autofill:** None

**Flavors:** 2 Flavors

**Finish:** Black

**Hoppers:** Two

**Refrigerant:** R290

**Dispense:** Pull & Hold

**Handle:** Standard Handle

## Additional Features

## Electrical & Capacity

Volts*	Amps	Watts	Cord Attached	Plug Type	8oz cups/hr 236ml cups/hr	Input H <sup>2</sup> O Temp.	Phase	# Wires plus Ground	Hertz
220-240	4.7-5.1	1050-1100	Yes	EURO 16A	-	60°F (15.5°C)	1	2	50

\*When a BUNN is machine rated 120/208-240V, 120/208V or 120/240V, the higher voltage is the supply voltage needed to power the machine. The 120V is there to supply power to some components rated 120V in the machine, but it is not the supply voltage and would not power the machine if the machine is marked with the before mentioned ratings.

## Plumbing Requirements

PSI	kPa	Fitting Supplied	Water Flow Required (GPM)
-	-	-	-

## CAD Drawings

2D	Revit	KLC
●		

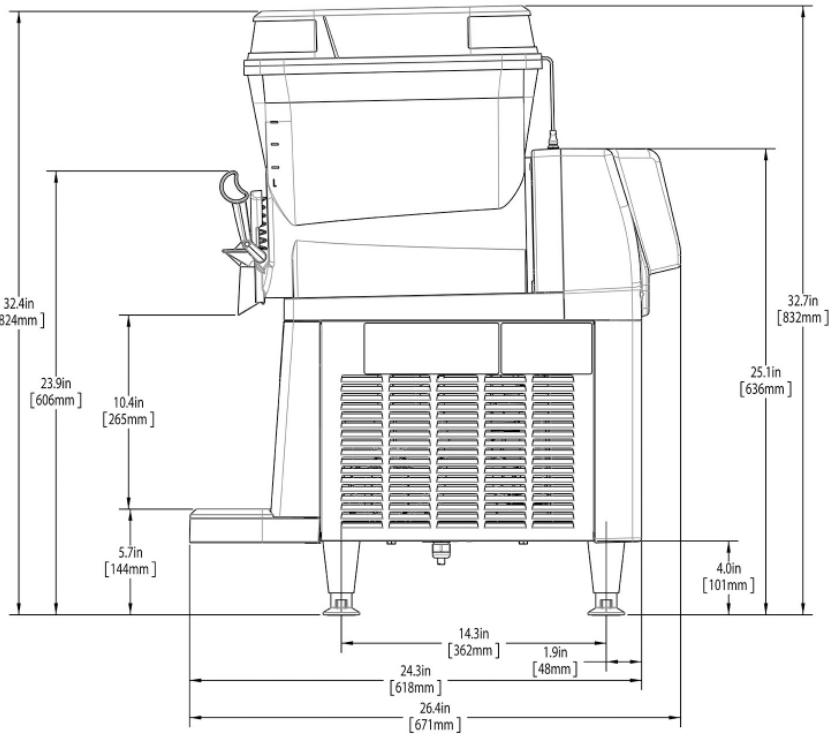
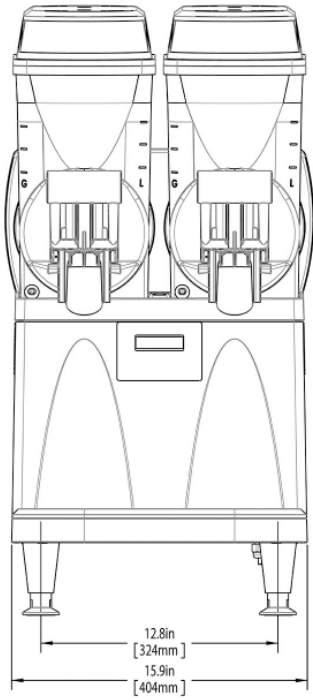
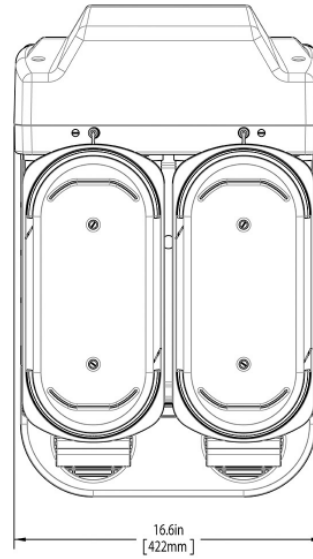
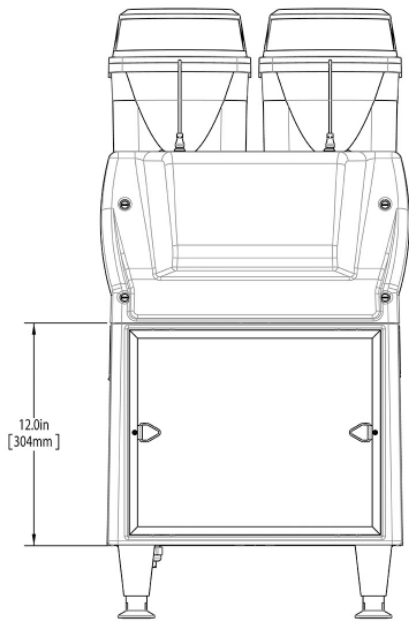
**WARNING:**



BUNN® reserves the right to change specifications and product design without notice. Such revisions do not entitle the buyer to corresponding changes, improvements, additions or replacements for previously purchased equipment.

For most current specifications and other info visit [bunn.com](http://bunn.com).

**Last Updated:**  
07/08/2025




	Unit			Shipping				
	Height	Width	Depth	Height	Width	Depth	Weight	Volume
English	32.4 in.	16.6 in.	26.4 in.	43.9 in.	20.5 in.	25.9 in.	121.510 lbs	13.468 ft <sup>3</sup>
Metric	82.3 cm	42.2 cm	67.1 cm	111.4 cm	52.1 cm	65.7 cm	55.117 kgs	0.381 m <sup>3</sup>



BUNN® reserves the right to change specifications and product design without notice. Such revisions do not entitle the buyer to corresponding changes, improvements, additions or replacements for previously purchased equipment. For most current specifications and other info visit [bunn.com](http://bunn.com).

Last Updated:  
07/08/2025

# Related Products & Accessories:ULTRA NXA, 230V 50HZ CE BLK STD-HDL(58000.0041)

<p>FILTER, AIR 13.562 X 11.062 MAGNETIC</p> <hr/> <p>Product #: 28122.0002</p>	<p>HANDLE, FAUCET ULTRA BLK NYLON AM</p> <hr/> <p>Product #: 32265.0003</p>	 <p>KIT, FAUCET SEALS - ULTRA-2 SEALS</p> <hr/> <p>Product #: 32268.1000<sup>2</sup></p>	<p>KIT, HDL LOCK ULTRA-2</p> <hr/> <p>Product #: 34996.0004</p>	<p>KIT, LID LOCK ULTRA NX BLACK</p> <hr/> <p>Product #: 34996.0010</p>
--	---	---	---	--

<p>KIT, LID &amp; HDL LOCK ULTRA NX BLK</p> <hr/> <p>Product #: 34996.0012</p>	<p>KIT, LID LOCK ULTRA-2 SST CLR W/ NX LID</p> <hr/> <p>Product #: 34996.0013</p>	<p>KIT,LID &amp; HDL LOCK ULTRA-2 SST CLR W/ NX</p> <hr/> <p>Product #: 34996.0014</p>	<p>HANDLE, EXTENDED ULTRA NX BLK NYLON AM</p> <hr/> <p>Product #: 44614.0004</p>	<p>DRIP TRAY ASSY, BASE ULTRA NX - BLK</p> <hr/> <p>Product #: 57659.1001</p>
--	---	--	--	---

<p>DRIP TRAY COVER, ULTRA NX - BLK</p> <hr/> <p>Product #: 57660.0001</p>	<p>VALVE, FAUCET LIQUID BLACK ULTRA NX</p> <hr/> <p>Product #: 57793.0001</p>
---	---

<sup>1</sup>NSF Certified <sup>2</sup>NSF Certified with spec sheet model listed <sup>3</sup>NSF Certified under Solventum Purification <sup>4</sup>NSF Certified under Mavea LLC <sup>5</sup>NSF Certified under Zojirushi <sup>6</sup>NSF Certified under Qins Inc <sup>7</sup>NSF COMPONENT Certified



BUNN® reserves the right to change specifications and product design without notice. Such revisions do not entitle the buyer to corresponding changes, improvements, additions or replacements for previously purchased equipment. For most current specifications and other info visit [bunn.com](http://bunn.com).

Last Updated:  
07/08/2025

# Serving & Holding Options: ULTRA NXA, 230V 50HZ CE BLK STD-HDL(58000.0041)

\*Serving and Holding selections are currently unavailable. Please contact your sales representative to find out more information.\*

---

<sup>1</sup>NSF Certified <sup>2</sup>NSF Certified with spec sheet model listed <sup>3</sup>NSF Certified under Solventum Purification <sup>4</sup>NSF Certified under Mavea LLC <sup>5</sup>NSF Certified under Zojirushi <sup>6</sup>NSF Certified under Qins Inc <sup>7</sup>NSF COMPONENT Certified



BUNN® reserves the right to change specifications and product design without notice. Such revisions do not entitle the buyer to corresponding changes, improvements, additions or replacements for previously purchased equipment. For most current specifications and other info visit [bunn.com](http://bunn.com).

Last Updated:  
07/08/2025