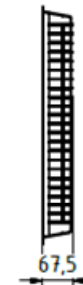
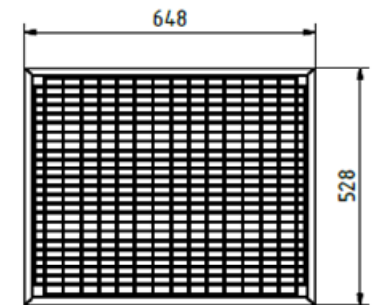
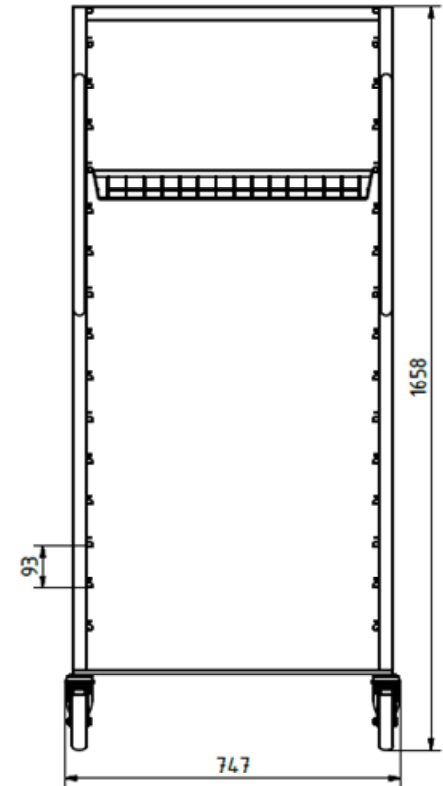
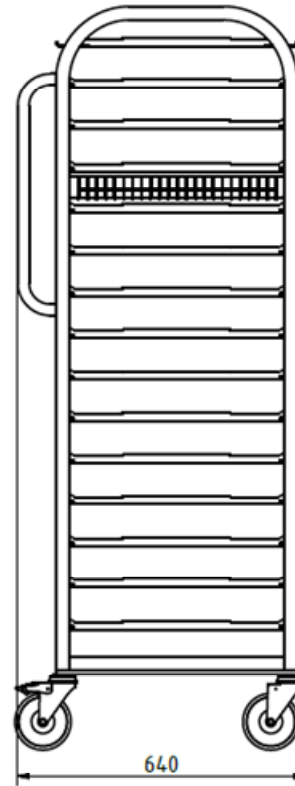
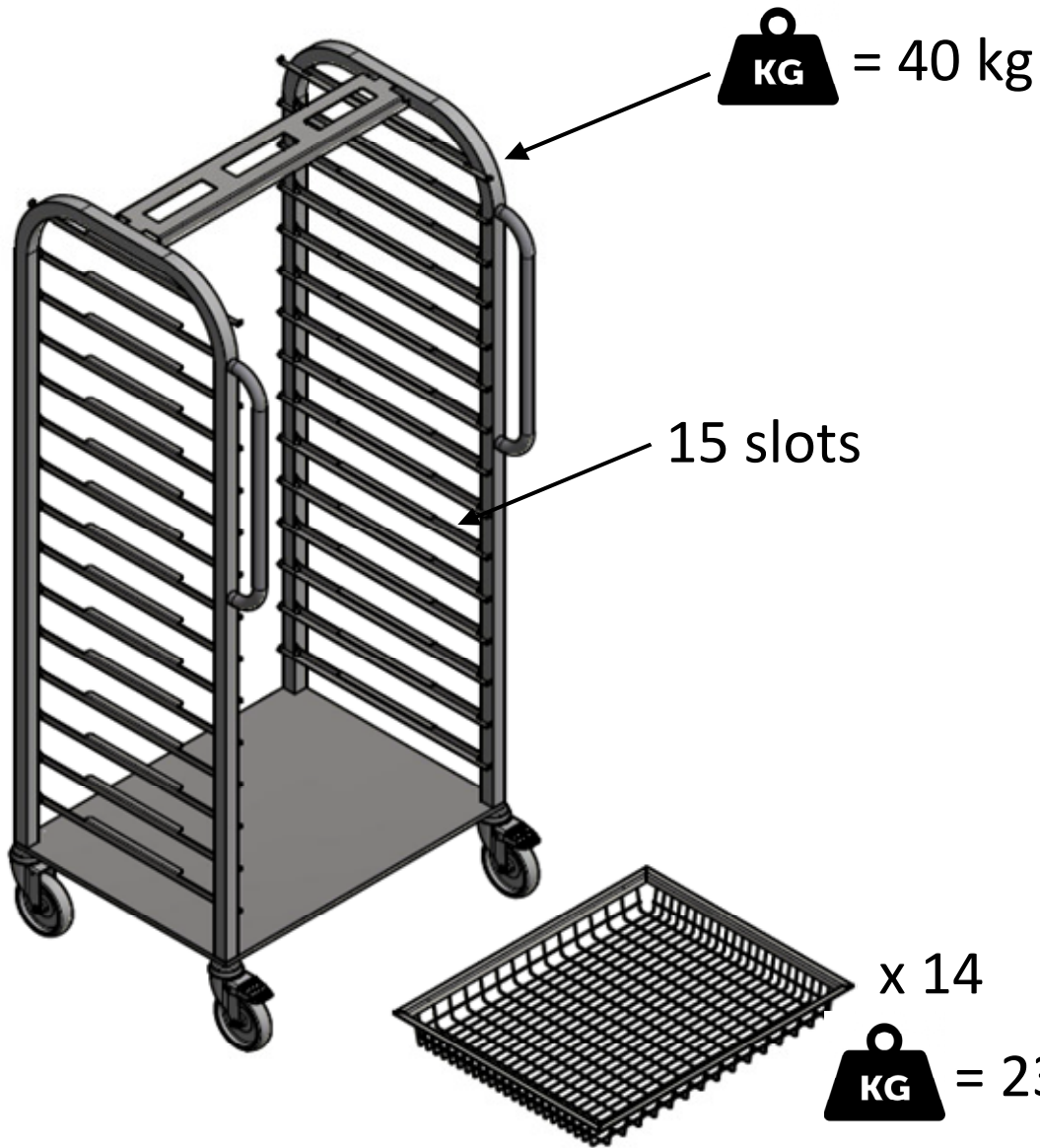


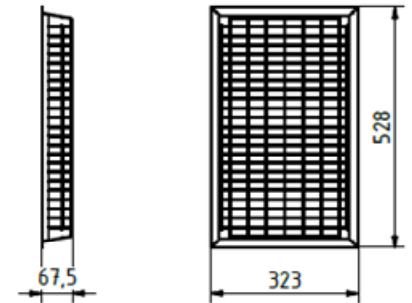
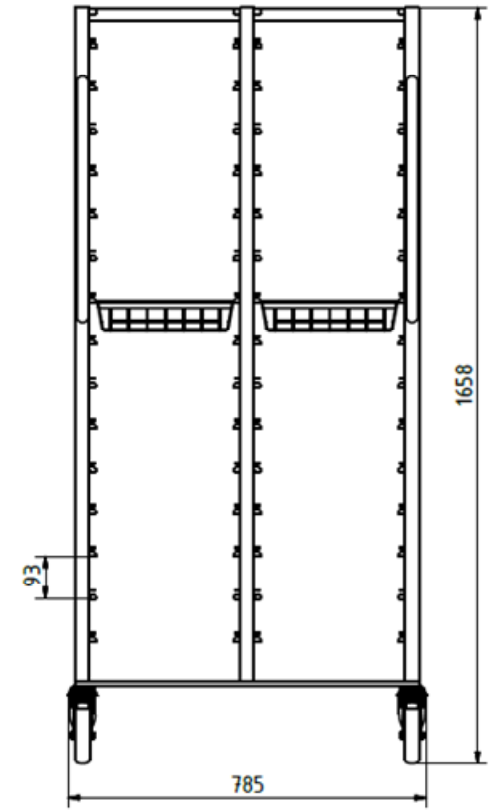
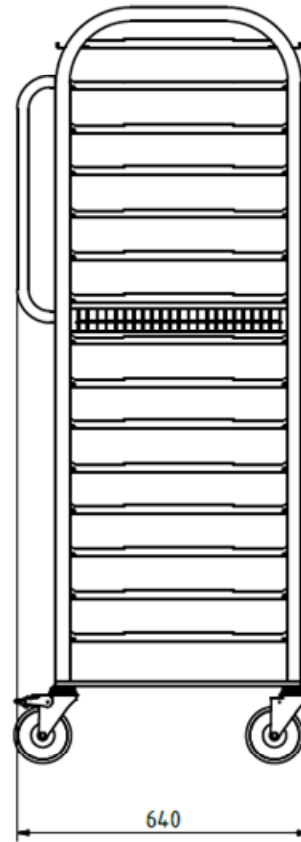
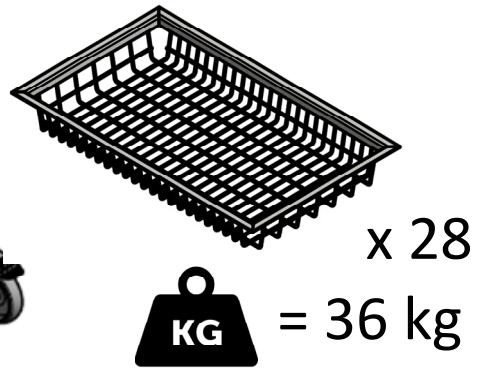
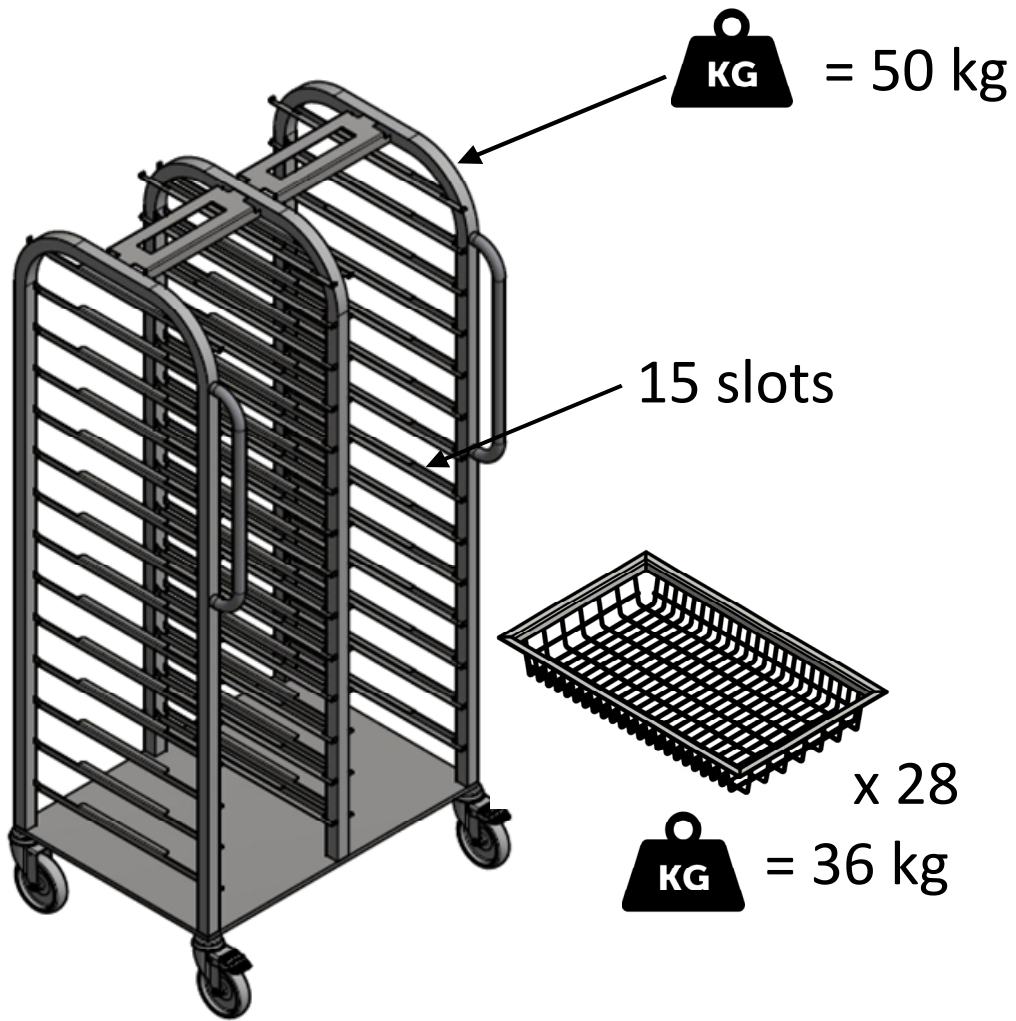
Material : Stainless steel 1.4301  
 Surface treatment: Electropolishing

KG Total = 52 kg



Material : Stainless steel 1.4301  
Surface treatment: Electropolishing

**KG** Total = 63 kg



Material : Stainless steel 1.4301  
 Surface treatment: Electropolishing

KG Total = 86 kg